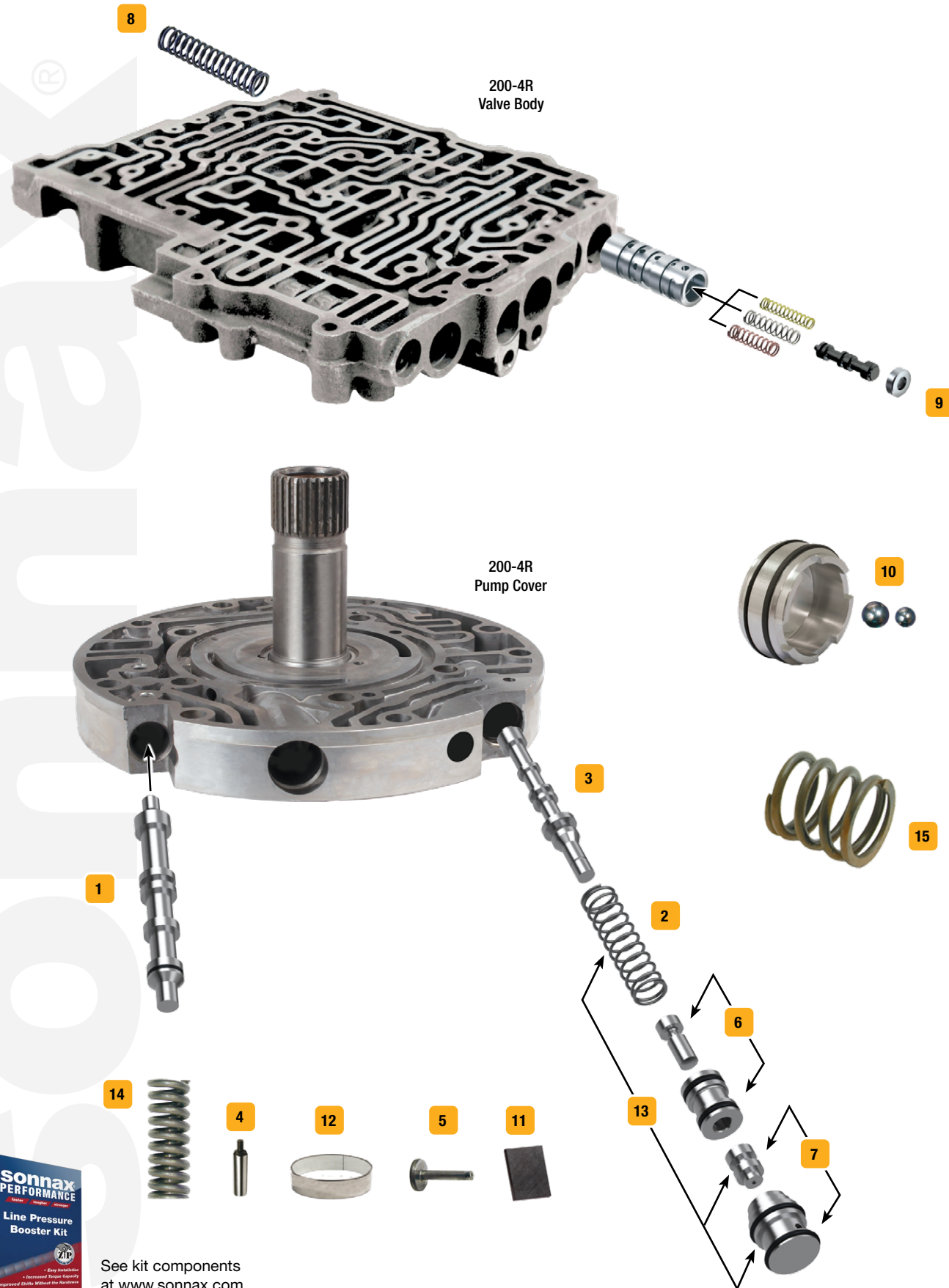


Click on part numbers for product details or visit www.sonnax.com to see all products for the unit(s) shown here.



200-4R Valve Body

200-4R Pump Cover



Symptoms/Part Type	Product Name	Part No.	Details	Tooling
TCC/Lockup Symptoms				
No lockup, Falls out of lockup when hot, Fluid blown out fill tube	TCC Apply Valve Kit	1 77805-K	ZIP	
Pressure Problems				
Low base line pressure	Elevated Pressure Main Pressure Regulator Spring	2 77917-08		
Erratic line pressure, Low line rise, Clutch slippage, Excess pump noise, 3-4 Clutch failure	Oversized Pressure Regulator Valve	3 77917-06		77917-TL, 77917-TLC
Low line pressure, High line pressure	Pump Slide Pivot Pin	4 65797	5/Bag	
Erratic line pressure	Pump Spring Spacer	5 77917-RV	10/Bag	
Low Reverse boost, Delayed Reverse, Low line pressure, Poor upshift in manual low	Reverse Boost Valve Kit	6 K77898	ZIP Large ratio, O-ring style	
	Reverse Boost Valve Kit	6 K77898A	ZIP Large ratio, factory style	
Soft slide shifts, 3-4 Clutch burned, Reduced band life	TV Boost Valve Kit	7 77917-02K	ZIP .423" Bore dia., factory style	
	TV Boost Valve Kit	7 77917-471	ZIP .471" Bore dia., O-ring style	
	TV Boost Valve Kit	7 77917-03K	ZIP .471" Bore dia., factory style	
Low throttle pressure, Low line pressure	TV Plunger Spring	8 77968-01K	5/Bag	
Shift/Engagement Concerns				
1-2 Bang at light throttle, Reduced 2-4 band life	Accumulator Valve Train Kit	9 77777L-K	ZIP Fits "L" version valve train in light/medium vehicles, .330" dia.	
	Accumulator Valve Train Kit	9 77777M-K	ZIP Fits "M" version valve train in heavy vehicles, .341" dia.	
Poor shift quality, Burnt clutches & bands	Pinless Accumulator Piston Kit	10 77998-03K	Use in 3-4 location only	
Component Damage/Failure				
Lost or damaged component	Pump Vane	11 1280	Koyo® (OE), 100/bag	
High Performance/Heavy Duty Upgrades				
Upgraded bushing material for long-lasting protection against wear	Bushing	12 77005T	Precision, PTFE-lined	
Classic, large-ratio boost valve for crisp, clean shifts without harshness	Line Pressure Booster Kit	13 700R4-LB1	ZIP Includes larger ratio boost valve & stronger PR spring	
Maintains high pump volume position at high RPM	Pump Slide Spring	14 77722-01K	Replaces 2 OE springs, 5/bag	
Highest TV boost ratio for maximum line rise	TV Boost Valve Kit	7 77917-500	ZIP .500" Bore dia., O-ring style	
	TV Boost Valve Kit	7 77917-04K	ZIP .500" Bore dia., factory style	
Produces firmer, quicker shifts	Enhanced Performance Accumulator Spring	15 77704S	Heavy-duty alternative for 3-4 accumulator, 5/bag	



See kit components at www.sonnax.com.